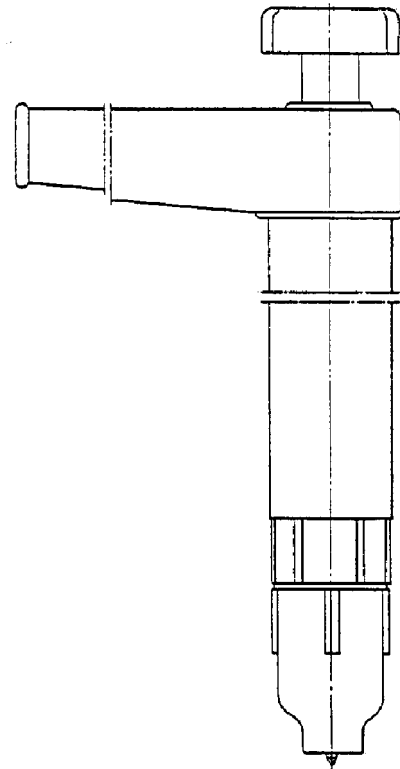
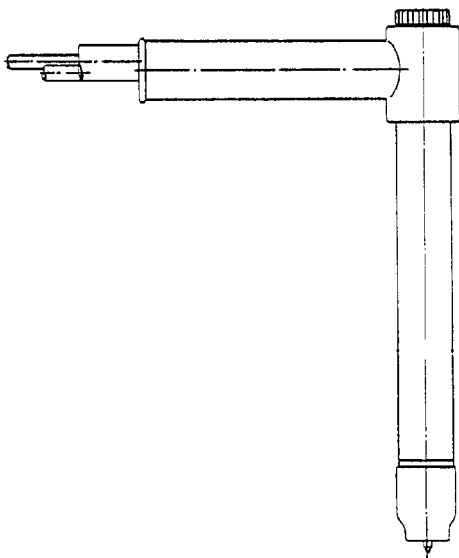


BTE 250M

BTE 500M



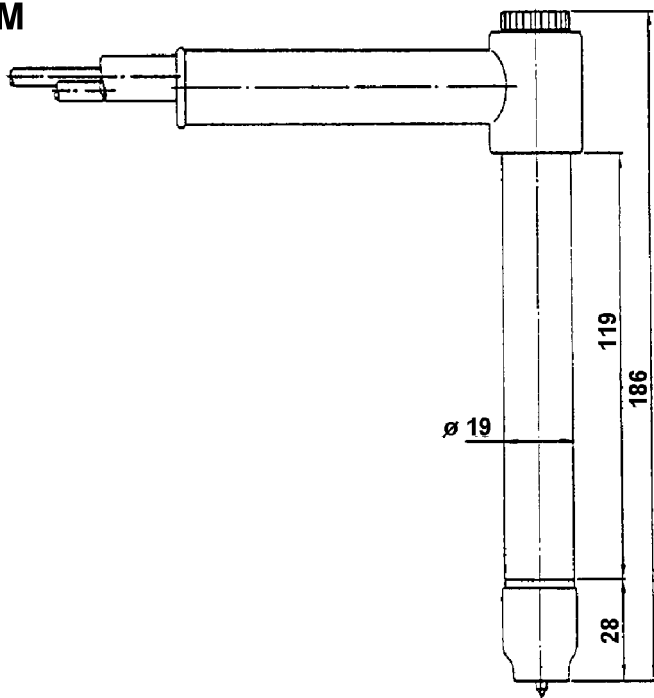
**Bruksanvisning
Brugsanvisning
Bruksanvisning
Käyttöohjeet
Instruction manual
Betriebsanweisung**

**Manuel d'instructions
Gebruiksaanwijzing
Instrucciones de uso
Istruzioni per l'uso
Manual de instruções
Οδηγίες χρήσεως**

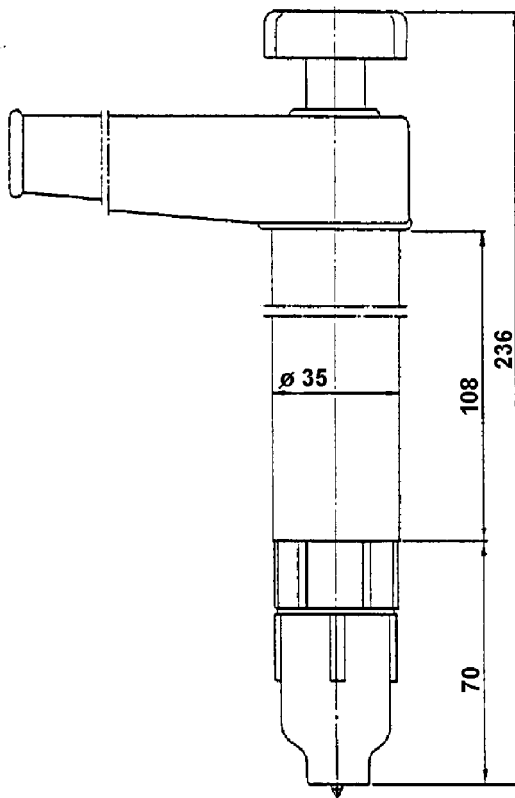
| | |
|------------------|----|
| SVENSKA | 3 |
| DANSK | 8 |
| NORSK | 13 |
| SUOMI | 18 |
| ENGLISH | 23 |
| DEUTSCH | 28 |
| FRANÇAIS | 33 |
| NEDERLANDS | 38 |
| ESPAÑOL | 43 |
| ITALIANO | 48 |
| PORTUGUÊS | 53 |
| ΕΛΛΗΝΙΚΑ | 58 |

Rätt till ändring av specifikationer utan avisering förbehålles.
 Ret til ændring af specifikationer uden varsel forbeholdes.
 Rett til å endre spesifikasjoner uten varsel forbeholdes.
 Oikeudet muutoksiin pidätetään.
 Rights reserved to alter specifications without notice.
 Änderungen vorbehalten.
 Sous réserve de modifications sans avis préalable.
 Recht op wijzigingen zonder voorafgaande mededeling voorbehouden.
 Reservado el derecho de cambiar las especificaciones sin previo aviso.
 Ci riserviamo il diritto di variare le specifiche senza preavviso.
 Reservamo-nos o direito de alterar as especificações sem aviso prévio.
 Διατηρείται το δικαίωμα τροποποίησης προδιαγραφών Χωρίς προειδοποίηση.

BTE 250M

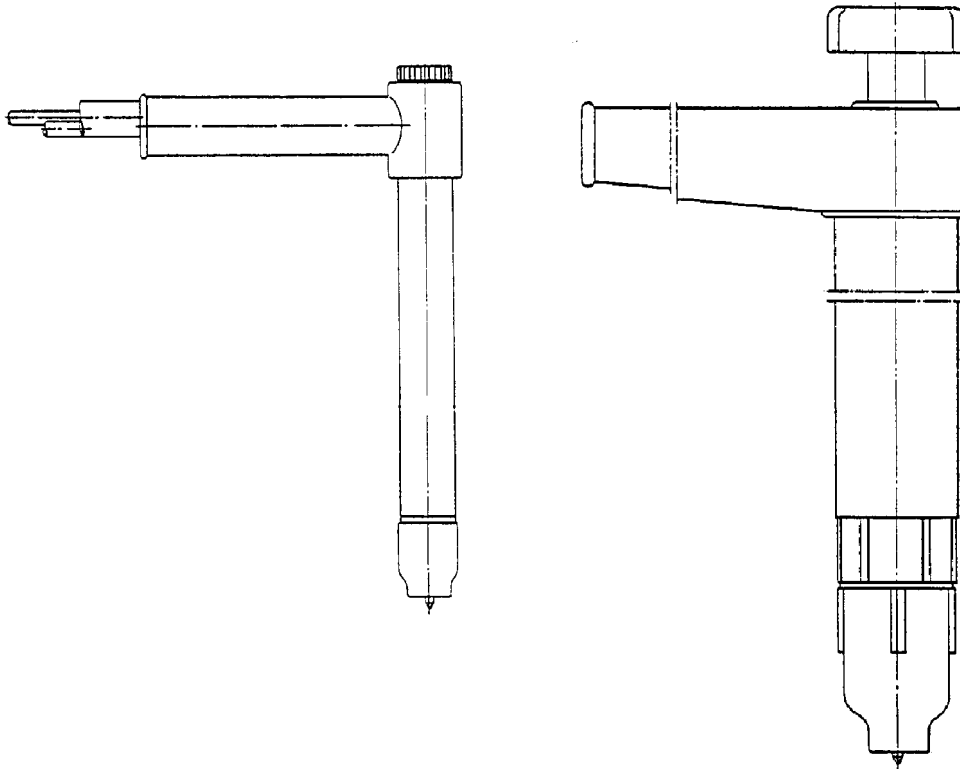


BTE 500M



dqa2mb01

**Reservdelsförteckning Reservdelsfortegnelse Reservedelsliste
Varaosaluettelo Spare parts list Ersatzteilliste Liste de pièces détachées
Reserveonderdelenlijst Lista de repuestos Elenco ricambi Lista de peças
sobressalentes Πίνακας ανταλλακτικών μερών**



Ordering numbers for

0441 362 550 TIG torch BTE 250M

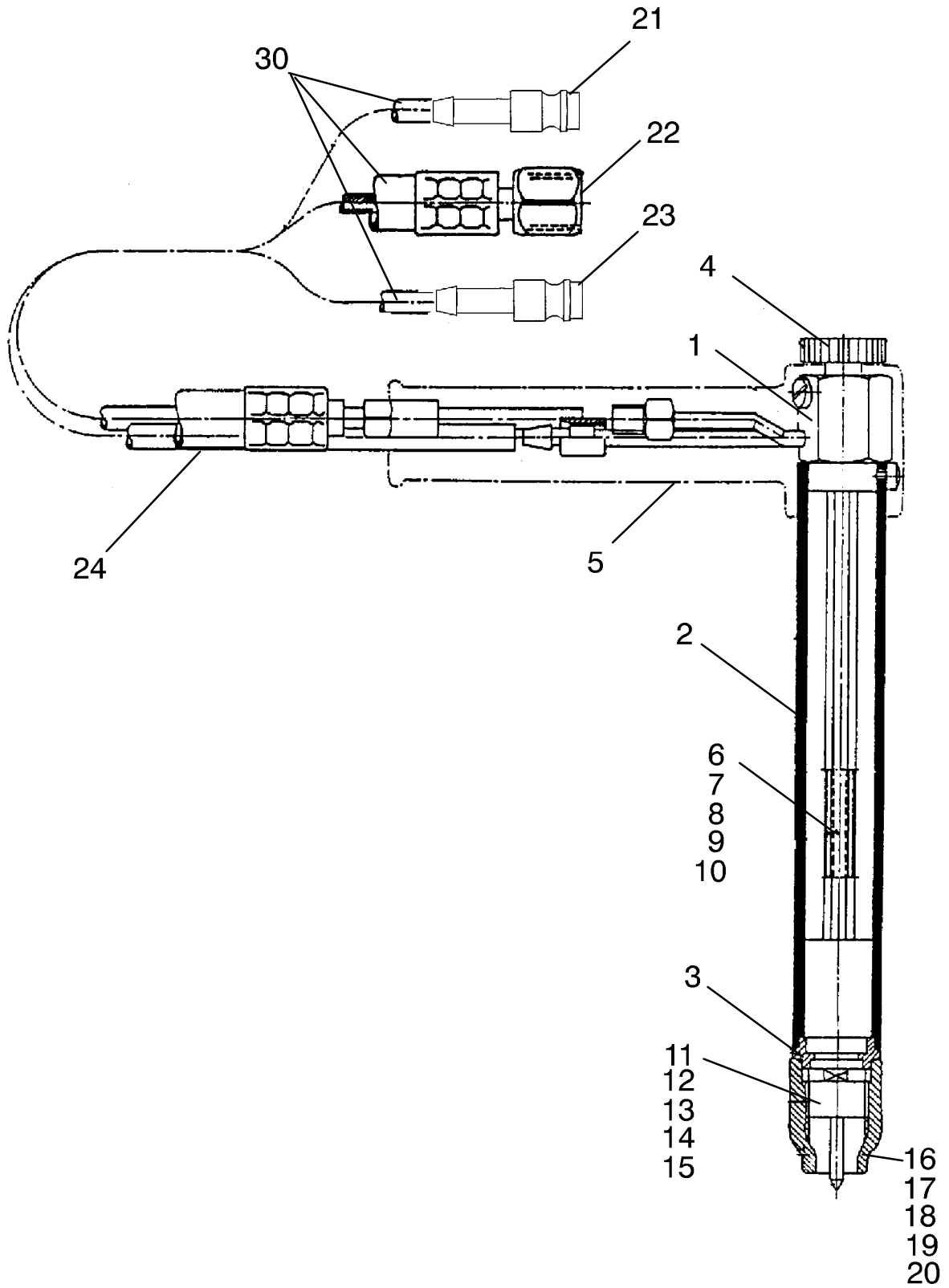
0441 418 880 TIG torch BTE 500M

Spare parts are to be ordered through the nearest ESAB agency as per the list on the back of the cover. Kindly indicate type of unit, serial number, denominations and ordering numbers according to the spare parts list.

Maintenance and repair work should be performed by an experienced person, and electrical work only by a trained electrician. Use only recommended spare parts.

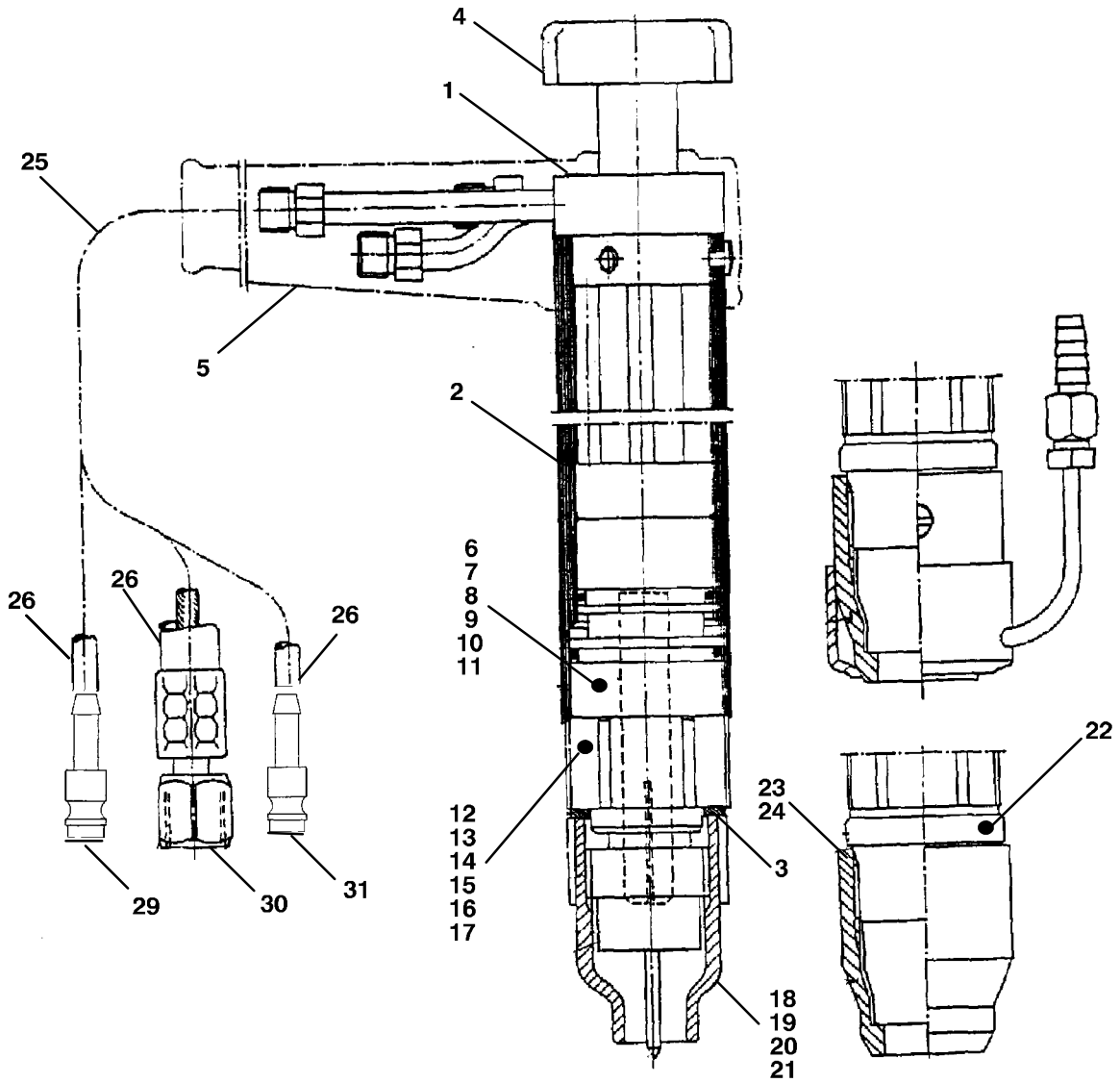
(W) = wear part

| Item. | Qty | Ordering no. | Denomination | Notes |
|-------|-----|---------------------|--------------------------------|-----------------|
| | | 0441 362 880 | TIG torch | BTE 250M |
| 1 | 1 | 0441 362 001 | Torch body | |
| 2 | 1 | 0441 362 002 | Torch case | |
| 3 | 1 | 0441 362 003 | Gasket | |
| 4 | 1 | 0441 362 004 | Torch cover | (w) |
| 5 | 1 | 0441 362 005 | Protective gaiter | |
| 6 | 1 | 0441 363 001 | Clamping sleeve | .020" 0,5 (w) |
| 7 | 1 | 0441 363 002 | Clamping sleeve | .040" 1,0 (w) |
| 8 | 1 | 0441 363 003 | Clamping sleeve | 1/16" 1,6 (w) |
| 9 | 1 | 0441 363 004 | Clamping sleeve | 3/32" 2,4 (w) |
| 10 | 1 | 0441 363 005 | Clamping sleeve | 1/8" 3,2 (w) |
| 11 | 1 | 0157 121 015 | Gas lens | .020" 0,5 (w) |
| 12 | 1 | 0157 121 016 | Gas lens | .040" 1,0 (w) |
| 13 | 1 | 0157 121 017 | Gas lens | 1/16" 1,6 (w) |
| 14 | 1 | 0157 121 018 | Gas lens | 3/32" 2,4 (w) |
| 15 | 1 | 0157 121 041 | Gas lens | 1/8" 3,2 (w) |
| 16 | 1 | 0157 121 032 | Gas cup | 1/4" No. 4 (w) |
| 17 | 1 | 0157 121 033 | Gas cup | 5/16" No. 5 (w) |
| 18 | 1 | 0157 121 034 | Gas cup | 3/8" No. 6 (w) |
| 19 | 1 | 0157 121 039 | Gas cup | 7/16" No. 7 (w) |
| 20 | 1 | 0157 121 040 | Gas cup | 1/2" No. 8 (w) |
| 21 | 1 | 0157 123 048 | Water fitting | |
| 22 | 1 | 0157 123 069 | Current fitting | |
| 23 | 1 | 0157 123 047 | Gas fitting | |
| 24 | 1 | 0441 362 027 | Hose (current) | 3,8 m |
| | 1 | 0441 362 028 | Hose (gas) | 3,8 m |
| | 1 | 0441 362 029 | Hose (water) | 3,8 m |
| 30 | 1 | 0443 640 881 | Connection kit | Se on page 70. |
| | | 0151 574 016 | Tungsten electrode (thorium) | D 0,5 (w) |
| | | 0151 574 001 | Tungsten electrode (thorium) | D 1,0 (w) |
| | | 0151 574 002 | Tungsten electrode (thorium) | D 1,6 (w) |
| | | 0151 574 003 | Tungsten electrode (thorium) | D 2,4 (w) |
| | | 0151 574 004 | Tungsten electrode (thorium) | D 3,2 (w) |
| | | 0151 574 017 | Tungsten electrode (zirconium) | D 1,0 (w) |
| | | 0151 574 018 | Tungsten electrode (zirconium) | D 1,6 (w) |
| | | 0151 574 019 | Tungsten electrode (zirconium) | D 2,4 (w) |
| | | 0151 574 020 | Tungsten electrode (zirconium) | D 3,2 (w) |

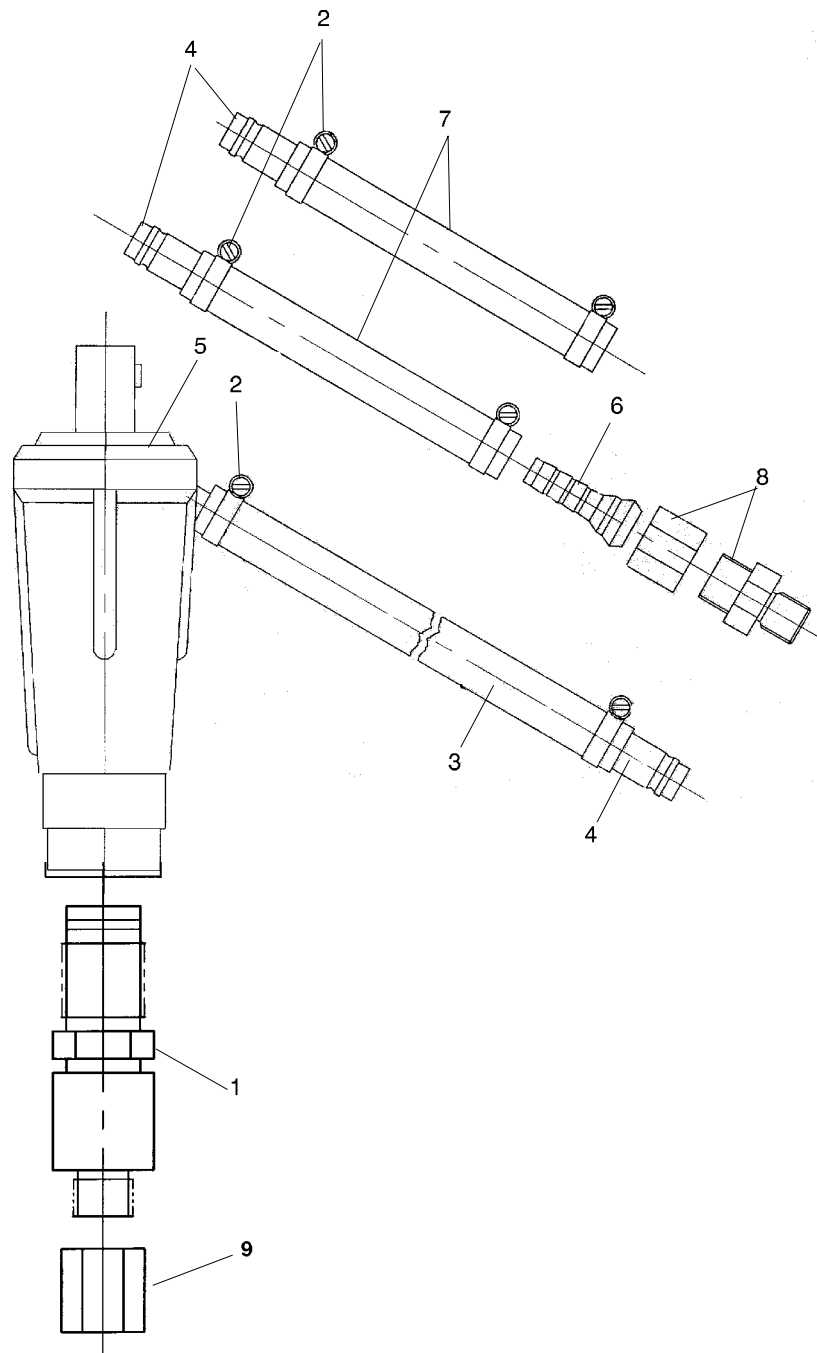


(W) = wear part

| Item | Qty | Ordering no. | Denomination | Notes |
|------|-----|---------------------|--------------------------------|-----------------|
| | | 0441 418 880 | TIG-torch | BTE 500M |
| 1 | 1 | 0441 418 001 | Torch body | |
| 2 | 1 | 0441 418 002 | Torch case | |
| 3 | 1 | 0441 418 003 | Gasket | (w) |
| 4 | 1 | 0441 418 004 | Knob with shaft and o-ring | (w) |
| 5 | 1 | 0441 418 005 | Protective gaiter | |
| 6 | 1 | 0441 454 001 | Clamping sleeve | 1/16" 1,6 (w) |
| 7 | 1 | 0441 454 002 | Clamping sleeve | 3/32" 2,4 (w) |
| 8 | 1 | 0441 454 003 | Clamping sleeve | 1/8" 3,2 (w) |
| 9 | 1 | 0441 454 004 | Clamping sleeve | 5/32" 4,0 (w) |
| 10 | 1 | 0441 454 005 | Clamping sleeve | 3/16" 4,8 (w) |
| 11 | 1 | 0441 454 006 | Clamping sleeve | 1/4" 6,3 (w) |
| 12 | 1 | 0441 452 001 | Gas lens | 1/16" 1,6 (w) |
| 13 | 1 | 0441 452 002 | Gas lens | 3/32" 2,4 (w) |
| 14 | 1 | 0441 452 003 | Gas lens | 1/8" 3,2 (w) |
| 15 | 1 | 0441 452 004 | Gas lens | 5/32" 4,0 (w) |
| 16 | 1 | 0441 452 005 | Gas lens | 3/16" 4,8 (w) |
| 17 | 1 | 0441 452 006 | Gas lens | 1/4" 6,3 (w) |
| 18 | 1 | 0157 123 088 | Gas cup | 3/8" No. 6 (w) |
| 19 | 1 | 0157 123 089 | Gas cup | 1/2" No. 8 (w) |
| 20 | 1 | 0157 123 099 | Gas cup | 5/8" No. 10 (w) |
| 21 | 1 | 0157 123 098 | Gas cup | 3/4" No. 12 (w) |
| 22 | 1 | 0441 453 001 | Intermediate cup | |
| 23 | 1 | 0441 453 002 | Gas cup metal | |
| 24 | 1 | 0441 153 003 | Gas cup metal | |
| 25 | 1 | 0441 418 026 | Hose (water) | 3,8 m |
| | 1 | 0441 418 027 | Hose (current) | 3,8 m |
| | 1 | 0441 418 028 | Hose (gas) | 3,8 m |
| 26 | 1 | 0443 640 881 | Connection kot | Se on page 70. |
| 29 | 1 | 0157 123 048 | Water fitting | |
| 30 | 1 | 0157 123 069 | Current fitting | |
| 31 | 1 | 0157 123 047 | Gas fitting | |
| 34 | 1 | 0441 453 004 | Gas cup metal, water-cooled | |
| | | 0151 574 002 | Tungsten electrode (thorium) | D 1,6 (w) |
| | | 0151 574 003 | Tungsten electrode (thorium) | D 2,4 (w) |
| | | 0151 574 004 | Tungsten electrode (thorium) | D 3,2 (w) |
| | | 0151 574 005 | Tungsten electrode (thorium) | D 4,0 (w) |
| | | 0151 574 006 | Tungsten electrode (thorium) | D 4,8 (w) |
| | | 0151 574 017 | Tungsten electrode (zirconium) | D 1,0 (w) |
| | | 0151 574 018 | Tungsten electrode (zirconium) | D 1,6 (w) |
| | | 0151 574 019 | Tungsten electrode (zirconium) | D 2,4 (w) |
| | | 0151 574 020 | Tungsten electrode (zirconium) | D 3,2 (w) |
| | | 0151 574 021 | Tungsten electrode (zirconium) | D 4,0 (w) |
| | | 0151 574 022 | Tungsten electrode (zirconium) | D 4,8 (w) |
| | | 0151 574 024 | Tungsten electrode (zirconium) | D 6,3 (w) |



| Item | Qty | Ordering no. | Denomination | Notes |
|------|-----|---------------------|------------------------|----------|
| | | 0443 640 881 | Connection kit | |
| 1 | 1 | 0317 082 880 | Cable connector | (w) |
| 2 | 6 | 0193 761 002 | Hose clamp | |
| 3 | | 0190 315 102 | Hose | L=0,7 |
| 4 | 3 | 0365 803 001 | Quick connection, male | |
| 5 | 1 | 0317 088 880 | Water fuse | 315A (w) |
| 6 | 1 | 0252 103 501 | Hose nipple | |
| 7 | | 0190 315 102 | Hose | L=0,2 |
| 8 | 1 | 0156 867 001 | Loop passage | |
| 9 | 1 | 0467 919 001 | Nut | OKC |



ESAB subsidiaries and representative offices

Europe

AUSTRIA

ESAB Ges.m.b.H
Vienna-Liesing
Tel: +43 1 888 25 11
Fax: +43 1 888 25 11 85

BELGIUM

S.A. ESAB N.V.
Brussels
Tel: +32 2 745 11 00
Fax: +32 2 726 80 05

THE CZECH REPUBLIC

ESAB VAMBERK s.r.o.
Prague
Tel: +420 2 819 40 885
Fax: +420 2 819 40 120

DENMARK

Aktieselskabet ESAB
Copenhagen-Valby
Tel: +45 36 30 01 11
Fax: +45 36 30 40 03

FINLAND

ESAB Oy
Helsinki
Tel: +358 9 547 761
Fax: +358 9 547 77 71

FRANCE

ESAB France S.A.
Cergy Pontoise
Tel: +33 1 30 75 55 00
Fax: +33 1 30 75 55 24

GERMANY

ESAB GmbH
Solingen
Tel: +49 212 298 0
Fax: +49 212 298 204

GREAT BRITAIN

ESAB Group (UK) Ltd
Waltham Cross
Tel: +44 1992 76 85 15
Fax: +44 1992 71 58 03

ESAB Automation Ltd

Andover
Tel: +44 1264 33 22 33
Fax: +44 1264 33 20 74

HUNGARY

ESAB Kft
Budapest
Tel: +36 1 20 44 182
Fax: +36 1 20 44 186

ITALY

ESAB Saldatura S.p.A.
Mesero (Mi)
Tel: +39 02 97 96 81
Fax: +39 02 97 28 91 81

THE NETHERLANDS

ESAB Nederland B.V.
Utrecht
Tel: +31 30 248 59 22
Fax: +31 30 248 52 60

NORWAY

AS ESAB
Larvik
Tel: +47 33 12 10 00
Fax: +47 33 11 52 03

POLAND

ESAB Sp.z.o.o
Warszaw
Tel: +48 22 813 99 63
Fax: +48 22 813 98 81

PORTUGAL

ESAB Lda
Lisbon
Tel: +351 1 837 1527
Fax: +351 1 859 1277

SLOVAKIA

ESAB Slovakia s.r.o.
Bratislava
Tel: +421 7 44 88 24 26
Fax: +421 7 44 88 87 41

SPAIN

ESAB Ibérica S.A.
Alcobendas (Madrid)
Tel: +34 91 623 11 00
Fax: +34 91 661 51 83

SWEDEN

ESAB Sverige AB
Gothenburg
Tel: +46 31 50 95 00
Fax: +46 31 50 92 22

ESAB International AB
Gothenburg
Tel: +46 31 50 90 00
Fax: +46 31 50 93 60

SWITZERLAND

ESAB AG
Dietikon
Tel: +41 1 741 25 25
Fax: +41 1 740 30 55

North and South America

ARGENTINA

CONARCO
Buenos Aires
Tel: +54 11 4 753 4039
Fax: +54 11 4 753 6313

BRAZIL

ESAB S.A.
Contagem-MG
Tel: +55 31 333 43 33
Fax: +55 31 361 31 51

CANADA

ESAB Group Canada Inc.
Mississauga, Ontario
Tel: +1 905 670 02 20
Fax: +1 905 670 48 79

MEXICO

ESAB Mexico S.A.
Monterrey
Tel: +52 8 350 5959
Fax: +52 8 350 7554

USA

ESAB Welding & Cutting Products
Florence, SC
Tel: +1 843 669 44 11
Fax: +1 843 664 44 58

Asia/Pacific

AUSTRALIA

ESAB Australia Pty Ltd
Ermington
Tel: +61 2 9647 1232
Fax: +61 2 9748 1685

CHINA

Shanghai ESAB A/P
Shanghai
Tel: +86 21 6539 7124
Fax: +86 21 6543 6622

INDIA

ESAB India Ltd
Calcutta
Tel: +91 33 478 45 17
Fax: +91 33 468 18 80

INDONESIA

P.T. Esabindo Pratama
Jakarta
Tel: +62 21 460 01 88
Fax: +62 21 461 29 29

MALAYSIA

ESAB (Malaysia) Snd Bhd
Selangor
Tel: +60 3 703 36 15
Fax: +60 3 703 35 52

SINGAPORE

ESAB Singapore Pte Ltd
Singapore
Tel: +65 861 43 22
Fax: +65 861 31 95

ESAB Asia/Pacific Pte Ltd
Singapore
Tel: +65 861 74 42
Fax: +65 863 08 39

SOUTH KOREA

ESAB SeAH Corporation
Kyung-Nam
Tel: +82 551 289 81 11
Fax: +82 551 289 88 63

THAILAND

ESAB (Thailand) Ltd
Samutprakarn
Tel: +66 2 393 60 62
Fax: +66 2 748 71 11

UNITED ARAB EMIRATES

ESAB Middle East
Dubai
Tel: +971 4 338 88 29
Fax: +971 4 338 87 29

Representative offices

BULGARIA

ESAB Representative Office
Sofia
Tel/Fax: +359 2 974 42 88

EGYPT

ESAB Egypt
Dokki-Cairo
Tel: +20 2 390 96 69
Fax: +20 2 393 32 13

ROMANIA

ESAB Representative Office
Bucharest
Tel/Fax: +40 1 322 36 74

RUSSIA-CIS

ESAB Representative Office
Moscow
Tel: +7 095 937 98 20
Fax: +7 095 937 95 80

ESAB Representative Office

St Petersburg
Tel: +7 812 325 43 62
Fax: +7 812 325 66 85

Distributors

For addresses and phone numbers to our distributors in other countries, please visit our home page

www.esab.com



ESAB Welding Equipment AB
SE-695 81 LAXÅ
SWEDEN
Phone +46 584 81 000
Fax +46 584 123 08

www.esab.com